



***Society of Cable  
Telecommunications  
Engineers***

---

**ENGINEERING COMMITTEE  
Interface Practices Subcommittee**

---

**AMERICAN NATIONAL STANDARD**

**ANSI/SCTE 06 2009**

**Composite Distortion Measurements (CSO & CTB)**

## NOTICE

The Society of Cable Telecommunications Engineers (SCTE) Standards are intended to serve the public interest by providing specifications, test methods and procedures that promote uniformity of product, interchangeability and ultimately the long term reliability of broadband communications facilities. These documents shall not in any way preclude any member or non-member of SCTE from manufacturing or selling products not conforming to such documents, nor shall the existence of such standards preclude their voluntary use by those other than SCTE members, whether used domestically or internationally.

SCTE assumes no obligations or liability whatsoever to any party who may adopt the Standards. Such adopting party assumes all risks associated with adoption of these Standards, and accepts full responsibility for any damage and/or claims arising from the adoption of such Standards.

Attention is called to the possibility that implementation of this standard may require the use of subject matter covered by patent rights. By publication of this standard, no position is taken with respect to the existence or validity of any patent rights in connection therewith. SCTE shall not be responsible for identifying patents for which a license may be required or for conducting inquiries into the legal validity or scope of those patents that are brought to its attention.

Patent holders who believe that they hold patents which are essential to the implementation of this standard have been requested to provide information about those patents and any related licensing terms and conditions. Any such declarations made before or after publication of this document are available on the SCTE web site at <http://www.scte.org>.

All Rights Reserved

© Society of Cable Telecommunications Engineers, Inc. 2009  
140 Philips Road  
Exton, PA 19341

## TABLE OF CONTENTS

1.0	SCOPE .....	1
2.0	DEFINITIONS.....	1
3.0	NORMATIVE REFERENCES .....	2
4.0	INFORMATIVE REFERENCES.....	2
5.0	EQUIPMENT .....	2
6.0	SET-UP.....	3
7.0	PROCEDURE.....	3
	APPENDIX A: FREQUENCY RANDOMIZATION .....	6

### *LIST OF FIGURES*

FIGURE 1 – TEST EQUIPMENT SETUP	3
---------------------------------	---

### *LIST OF TABLES*

TABLE 1 – SETTINGS	4
--------------------	---

## **1.0 SCOPE**

This document describes a test procedure for the laboratory and production measurement of composite distortion products. There are two types of composite distortions considered: Composite Second Order and Composite Triple Beat. In order to obtain a stable, repeatable measurement, this test procedure describes testing performed with continuous wave (CW) carriers. See ANSI/SCTE 96 2008 for a discussion of the selection of CW carrier frequencies.

## **2.0 DEFINITIONS**

**Discrete Second Order (DSO):** An individual, second order intermodulation product, produced when one or two carriers pass through a non-linear component.

**Composite Second Order (CSO):** The sum of all DSO products that happen to fall at the same nominal frequency in a multi-tone system. CSO is defined as the difference, in dB, between the rms voltage of the carrier measured at its peak and the rms voltage of this sum. This procedure describes a technique for measuring this difference using a spectrum analyzer (SA) in the LOG mode. For consistency with existing measurements and specifications, the results of measurements made using any other technique must be correlated with the results from this technique.

**Discrete Third Order (DTO):** An individual, third order intermodulation product, produced when one, two or three carriers pass through a non-linear component.

**Composite Triple Beat (CTB):** The sum of all DTO products in a multi-tone system that happen to fall at the same nominal frequency in a multi-tone system. CTB is defined as the difference, in dB, between the rms voltage of the carrier measured at its peak and the rms voltage of this sum. As with CSO, this procedure describes a technique for measuring this difference using a SA in the LOG mode. For consistency with existing measurements and specifications, the results of measurements made using any other technique must be correlated with the results from this technique.

Refer to the Definitions and Acronyms section of ANSI/SCTE 96 2008 for other definitions.

### **3.0 NORMATIVE REFERENCES**

The following documents contain provisions, which, through reference in this text, constitute provisions of this standard. At the time of publication, the editions indicated were valid. All standards are subject to revision, and parties to agreement based on this standard are encouraged to investigate the possibility of applying the most recent editions of the documents listed below.

ANSI/SCTE 96 2008, Cable Telecommunications Testing Guidelines

### **4.0 INFORMATIVE REFERENCES**

The following documents may provide valuable information to the reader but are not required when complying with this standard.

Conference on Emerging Technologies Proceedings Manual, Schick, D. and McQuillen, E., Society of Cable Telecommunications Engineers, 1998, pg. 255.

### **5.0 EQUIPMENT**

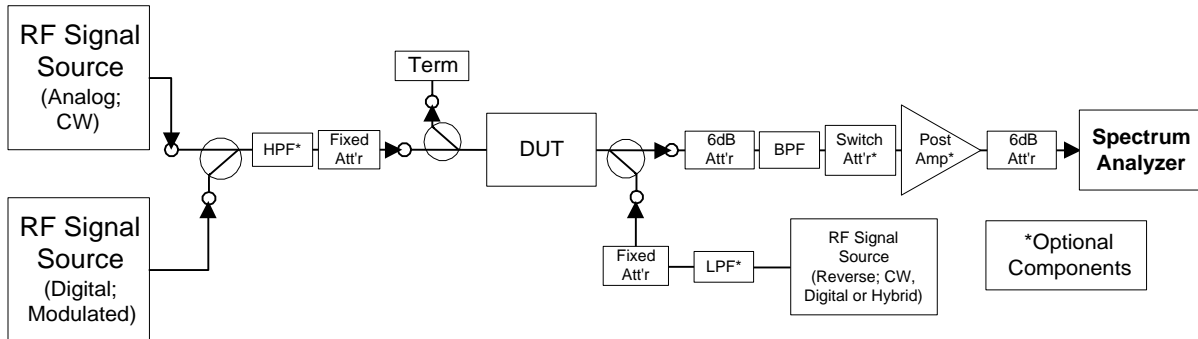
- 5.1 The general equipment required for this test is shown in Figure 1. ANSI/SCTE 96 2008 describes and specifies all of this equipment.
- 5.2 The multi-tone signal generator for this test must have the characteristics listed below. Refer to ANSI/SCTE 96 2008 for specifications of acceptable generators.
  - 5.2.1 The capability to produce signals on all the nominal visual carrier frequencies for all of the channels in the frequency band to be tested.
  - 5.2.2 The capability to set power levels individually and to adjust the total spectrum of input signals to the proper input power level for the device to be tested.
  - 5.2.3 The capability to turn individual channels off.
  - 5.2.4 For testing with noncoherent carrier frequencies, the capability to maintain individual noncoherent frequencies to within  $\pm 5$  kHz of the nominal carrier frequencies. Note that stable and accurate carrier frequencies are critical to ensure repeatable measurements. Refer to Appendix A for a discussion of this issue.
  - 5.2.5 Spurious signals generated within the signal source device(s) must be at least 10 dB below the levels to be measured. Note that if the internal CSO or CTB of the signal source(s) is produced in a way similar to the CSO or CTB of the Device Under Test (DUT), the internal CSO or CTB products must be at least 20 dB below the levels to be measured.

5.3 The band pass filters (BPF) for this test must meet the specifications listed in ANSI/SCTE 96 2008.

## 6.0 SET-UP

6.1 Follow all calibration requirements recommended by the manufacturers of the signal generators and SA, including adequate warm-up and stabilization time.

6.2 Connect the test equipment as shown in Figure 1.



**Figure 1 – Test Equipment Setup**

6.3 Set the signal generators to provide all of the signals needed for the test, as defined by the applicable frequency plan. The analog carrier frequencies for noncoherent frequency plans should be randomly dispersed with a  $\pm 5$  kHz distribution about the nominal visual carrier frequencies, in order to obtain the most stable, repeatable measurement. The advantages of this dispersion are explained in Appendix A.

6.4 If appropriate, power the DUT in a manner consistent with its use. Note that the DUT may consist of a single device or a group of devices connected together as a system.

6.5 Set the appropriate signal level for each carrier, using the techniques described in ANSI/SCTE 96 2008.

## 7.0 PROCEDURE

7.1 Adjust the BPF so that its passband response is centered on the carrier to be measured.

7.2 Set the SA to the settings indicated in Table 1.

Center Frequency	Carrier Frequency under test
Span:	3 MHz (300 kHz/div.)
Detector	Peak
Resolution Bandwidth	30 kHz
Video Bandwidth	30 Hz

Input Attenuation	$\geq 10$ dB
Vertical Scale	10 dB/div.

**Table 1 – Spectrum Analyzer Settings**

The span shown above is chosen so that all of the distortion products may be measured on one display. It is equally acceptable to reduce the span to 100 kHz and change the center frequency, when appropriate, to the location of each of the distortion products to be measured. Note that a lower video bandwidth and video averaging may be used to obtain a more stable measurement. The video bandwidth should be set as low as possible and the video averaging repetitions as high as tolerable to achieve the required measurement stability in the shortest measurement time possible. Also, the SA input attenuation may be manually set to 0 dB to improve the dynamic range of the measurement, but only when one can be certain that the SA will not be overdriven.

- 7.3 Set the SA marker to the peak of the carrier signal. If the carrier level is high enough to cause gain compression in the SA, adjust the optional external attenuator until the carrier level is within the linear range of the SA's input. Record the marker level as *Carrier Level*.
- 7.4 To measure CSO:
  - 7.4.1 For a "Standard" frequency plan (as defined by ANSI/SCTE 96 2008), the forward path CSO products are typically located at  $\pm 0.75$  MHz and  $\pm 1.25$  MHz from the frequency of the carrier under test. The CSO products at channels 5 and 6 are located + 0.75 MHz, + 1.25 MHz, + 2.75 MHz and +3.25 MHz from the carrier, due to the 2 MHz offsets of those carrier frequencies. Note that other frequency plans may produce CSO products at different frequencies. The reverse path CSO products are located at  $\pm 1$  MHz from the frequency of the carrier under test for most reverse path testing currently performed using the standard "T channels."
  - 7.4.2 The CSO measurement must be made for each of the major distortion products at each measured frequency. For example, with the Standard frequency plan, a CSO measurement at 211.25 MHz will consist of measurements of the CSO products at 210 MHz, 210.5 MHz, 212 MHz and 212.5 MHz.
  - 7.4.3 It is recommended that the carrier be turned off. For frequency plans where the CSO products are located at the carrier frequency, the carrier must be turned off.
  - 7.4.4 Use the SA marker to measure the maximum level of the CSO products of interest. Record the marker level of each product as *CSO Level*.
  - 7.4.5 Record the *Noise Floor Level* as the level of the noise floor in a flat portion of the spectrum displayed on the SA.

Compute Noise Floor Delta = CSO Level – Noise Floor Level.

If the *Noise Floor Delta* is less than 2 dB, it is recommended that the optional post-amplifier be added to the system. The measurement should then be made again. If, however, the *Noise Floor Delta* remains less than 2 dB, refer to ANSI/SCTE 96 2008, Section 8.2 for the proper *Noise-Near-Noise Correction*.

- 7.4.6 If the *Noise Floor Delta* is greater than 2 dB, the following *Noise Floor Correction Factor* should be calculated:

$$\text{Noise Floor Correction Factor: } 10 * \left| \log \left( 1 - 10^{-\left( \frac{\text{Noise Floor Delta}}{10} \right)} \right) \right|$$

A table of values calculated from this equation is presented in ANSI/SCTE 96 2008, Section 8.2.

- 7.4.7 Compute the **Corrected CSO** for each product as:

$$\text{Corrected CSO} = \text{Carrier Level} - \text{CSO Level} + \text{Noise Floor Correction Factor}$$

Note that this is a positive number, expressed in –dBc. Refer to the Definitions and Acronyms section of ANSI/SCTE 96 2008 for a discussion of these units.

- 7.5 To measure CTB:

- 7.5.1 For a "Standard" frequency plan (as defined by ANSI/SCTE 96 2008), the forward path CTB products are located at the frequency of the carrier under test. The CTB products at channels 5 and 6 are located 2 MHz higher in frequency, due to the 2 MHz offsets of those carrier frequencies. Note that other frequency plans may produce CTB products at different frequencies.
- 7.5.2 Turn off the carrier under test.
- 7.5.3 Use the SA marker to measure the maximum level of the CTB product of interest. Record the marker level as *CTB Level*.
- 7.5.4 Record the *Noise Floor Level* as the level of the noise floor in a flat portion of the spectrum displayed on the SA.

$$\text{Compute Noise Floor Delta} = \text{CTB Level} - \text{Noise Floor Level}.$$

If the *Noise Floor Delta* is less than 2 dB, it is recommended that the optional post-amplifier be added to the system. The measurement should then be made again. If, however, the *Noise Floor Delta* remains less than 2 dB, refer to ANSI/SCTE 96 2008, Section 8.2 for the proper *Noise-Near-Noise Correction*.



7.5.5 If the *Noise Floor Delta* is greater than 2 dB, the following *Noise Floor Correction Factor* should be calculated:

$$\text{Noise Floor Correction Factor: } 10 * \left| \log \left( 1 - 10^{-\left( \frac{\text{Noise Floor Delta}}{10} \right)} \right) \right|$$

A table of values calculated from this equation is presented in ANSI/SCTE 96 2008, Section 8.2.

7.5.6 Compute *Corrected CTB* as:

$$\text{Corrected CTB} = \text{Carrier Level} - \text{CTB Level} + \text{Noise Floor Correction Factor}$$

Note that this is a positive number, expressed in –dBc. Refer to the Definitions and Acronyms section of ANSI/SCTE 96 2008 for a discussion of these units.

7.5.7 Turn on the carrier under test.

## APPENDIX A: FREQUENCY RANDOMIZATION

Frequency randomization (refer to Section 3.3) will serve to minimize both random and repeatable errors.

Random errors can be produced because; depending on the signal generator alignment, some of the DSO or DTO products may fall very close together in frequency. These individual products will form a CSO or CTB product that contains low frequency variations, or beats. If the frequencies of these beats fall within the measurement's video bandwidth (VBW), they will cause apparently random variations from one measurement to the next. The occurrence of such low frequency beats is minimized by dispersing the frequencies of the DSO or DTO products. The individual distortion products may be spread out in this way by intentionally dispersing the noncoherent carrier frequencies with known offsets.

Repeatable errors can also be produced because, again depending on the alignment of the analog carrier frequencies, some of the DSO or DTO products may be separated in frequency by more than the 30 kHz IF bandwidth of the measurement. If this happens, the full power of all of the distortion products will not be measured at once. As a result, the measured composite distortion will be artificially improved. These effects are minimized by restricting each analog carrier frequency to within  $\pm 5$  kHz of its nominal frequency.

Both the random and repeatable errors can be minimized by dispersing the noncoherent carrier frequencies with known offsets over a  $\pm 5$  kHz range. The most repeatable results will be achieved if these carrier frequency offsets have a uniform probability distribution.

The beneficial effects of frequency randomization are more completely described in "CTB/CSO Measurement Repeatability Improvements Using Uniformly Distributed

Noncoherent Carrier Frequencies," by McQuillen and Schick. This paper was published by the SCTE in the 1998 Conference on Emerging Technologies Proceedings Manual.